

# INSTALLATION INSTRUCTIONS

---

- Clean and simple look.
  - Working under 10-33V DC.
  - Base Diameter Reaches 180mm
  - Aluminium Alloy Facilitates Heat Dissipation
  - Multiple Mounting Options Fulfilling Different Needs
  - Three mounts. Three-point mount, magneticmount, single point mount.
  - ECE R65 ; ECE R10 ; SAE J845 ;
  - 11 flash patterns.
- 

**CONDUCTOR**

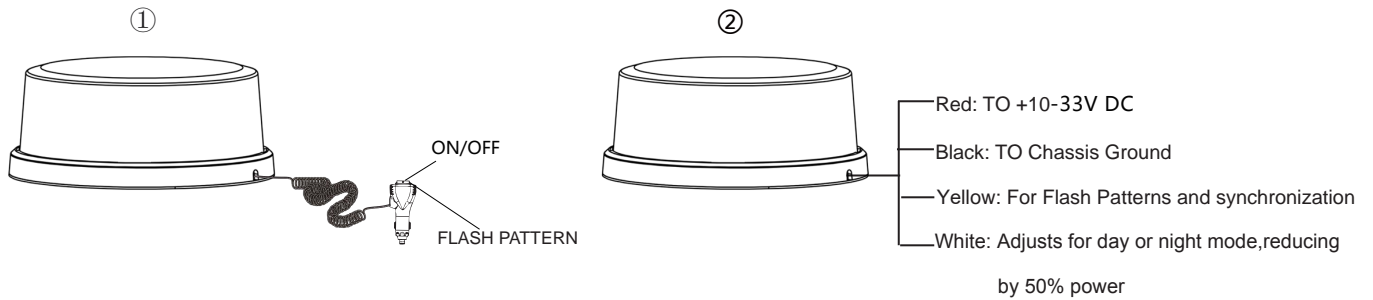
**LED Beacons**

Item: 080801

[www.911signal.com](http://www.911signal.com)

---

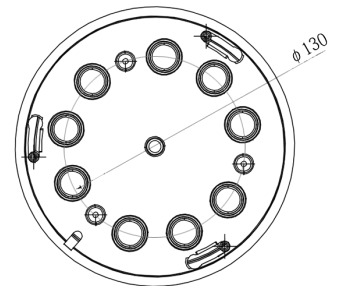
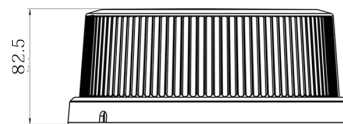
# WIRING



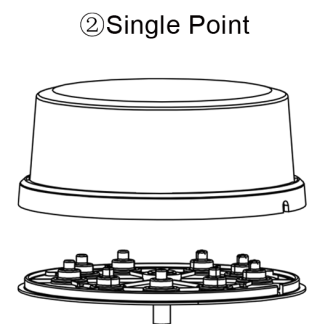
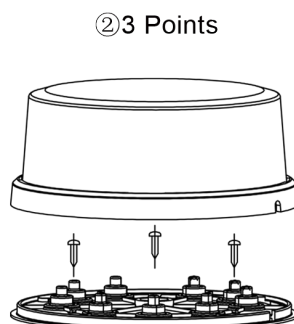
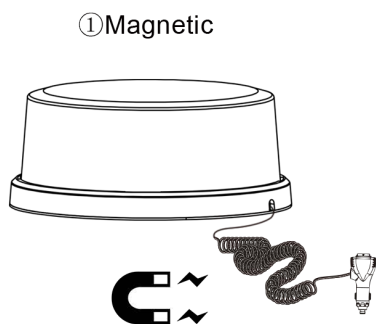
NOTE:  
DC 12V Max Power 21W ; DC 24V Max Power 32W

# FLASH PATTERNS

- 1.ECE R65 120FPM Single (all)
- 2.ECE R65 120FPM Double (all)
- 3.ECE R65 120FPM Rotator (all)
- 4.75FPM Rotation (all)
- 5.Single (all)
- 6.Double (all)
- 7.Quad (all)
- 8.Quint (all)
- 9.Ultra (all)
- 10.Single-Quad (all)
- 11.Single-H/L (all)



# MOUNTING





---

**Your Innovative and  
Reliable Partner**

[www.911signal.com](http://www.911signal.com)



Would you like to extend  
one more year of warranty?

## **911 Signal Technology Inc.**

Add: Room 701-702, Hengwei Building, No.258, Tiangao Lane,  
Shouan Subdistrict, Yinzhou Area, Ningbo City, Zhejiang, China.

Tel: +86-574-8901 7911 +86-400 6757 911

Fax: +86-574-8282 2560

E-mail: [sales@911signal.com](mailto:sales@911signal.com)