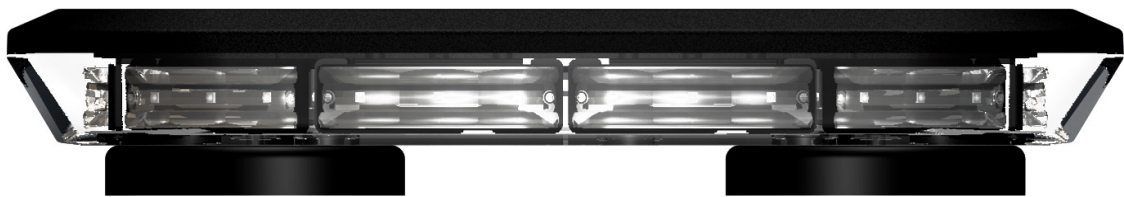


911 SIGNAL[®]



MINI ADVENTURER

**INSTALLATION, MAINTENANCE
&
SERVICE MANUAL**



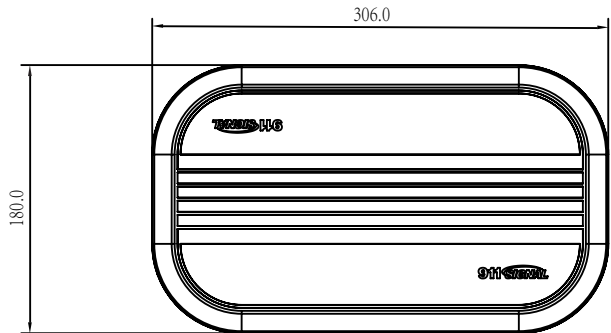
WARNING!

Failure to install or use this product according to manufacturer's recommendations may result in property damage, serious body injury, and/or death to you and those you are seeking to protect!

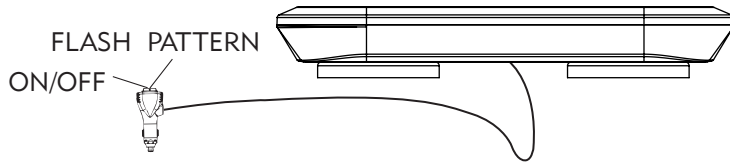
MINI ADVENTURER

LED Lightbar

Item:013101

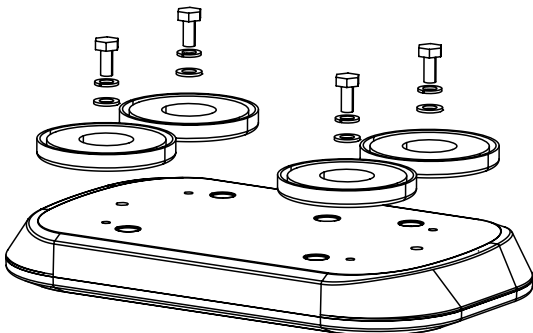


Wiring

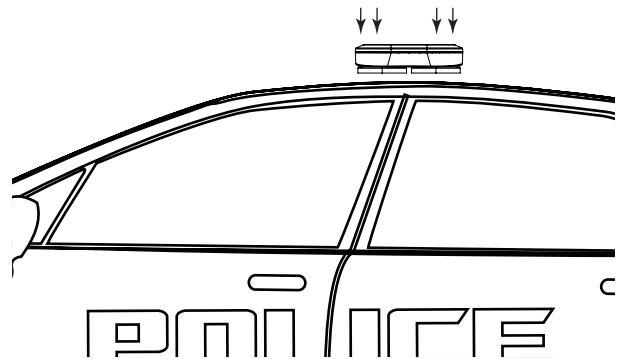


DC 10-33V
Max Power 65W

Magnetic Mount

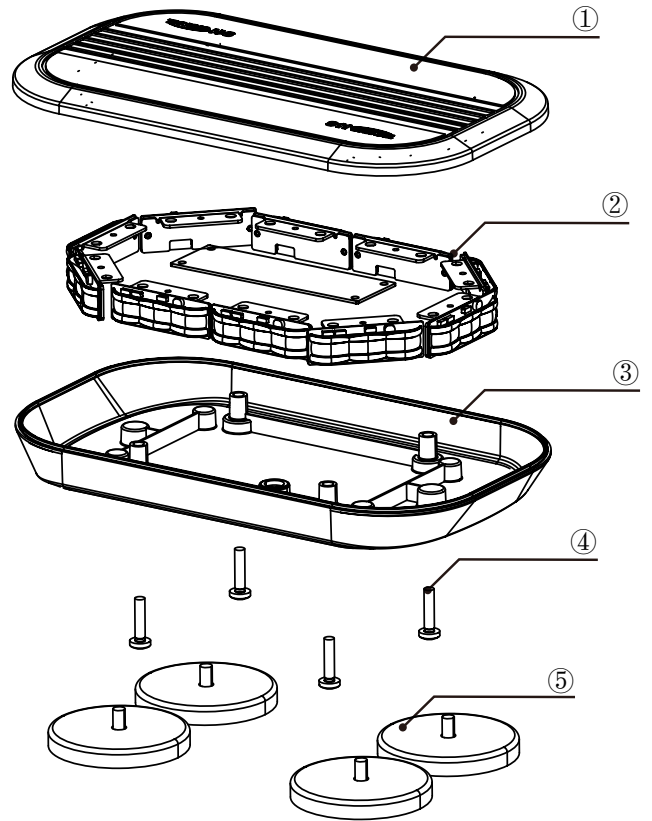


Four magnets are fixed with 4 screws at the bottom of the lightbar



Flash Pattern

Sequence	Description	
1	Random	
2	Single	(split)
3	Double	(split)
4	Quad	(split)
5	Quint	(split)
6	Mega	(split)
7	Ultra	(split)
8	Single_Quad	(split)
9	Single_H/L	(split)
10	Single	(all)
11	Double	(all)
12	Quad	(all)
13	Quint	(all)
14	Mega	(all)
15	Ultra	(all)
16	Single_Quad	(all)
17	Single_H/L	(all)
18	Steady 2	(california)
19	Steady 4	(all)
20	ECE R65 Single	(all)
21	ECE R65 Double	(all)
22	ECE R65 Triple	(all)
23	ECE R65 Quad	(all)
24	ECE R65 Rotator	(all)
25	Slow Rotation	(all)



- ① : Top Cover
- ② : Module
- ③ : Base
- ④ : M6×25 Screw
- ⑤ : Magnet