

FD24 MINI

LED Beacons

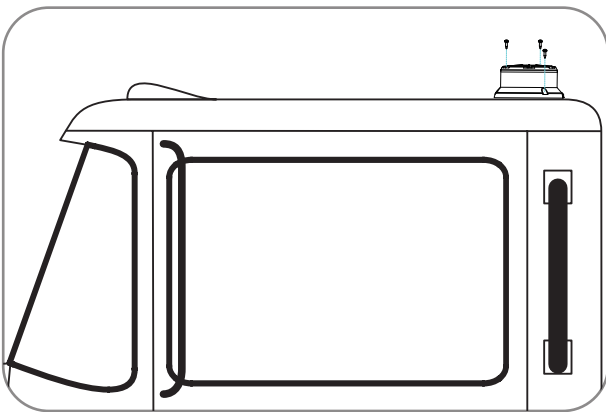
Item: 080602
080603



FIRE DRAGON[™]

- The housing is made of aluminum alloy. Good heat dissipation, stable brightness after long working.
- The outside cover is made from PMMA. Wear-resisting, 92% transmittance rate.
- Meet and exceed SAE J845 and ECE R65 Class1(blue and amber)
- 8 kinds of flash patterns, including rotating mode(R65)
- More compact (Ø110 × 47.5mm). Easy to get through a low garage
- 4 kinds of installation: Screw mount from top and bottom (remove 3 suction cups first), Magnetic mount and suction cup mount

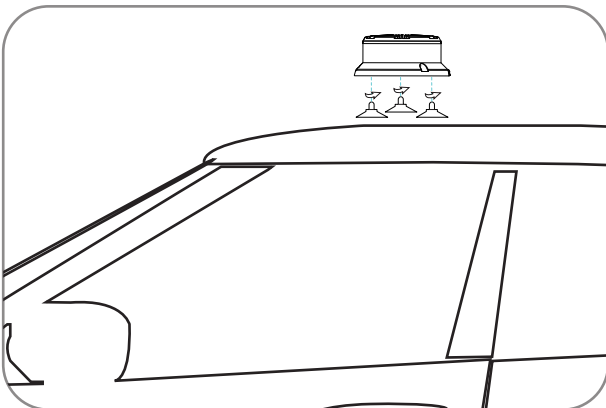
Mounting



Top screws



Bottom screws

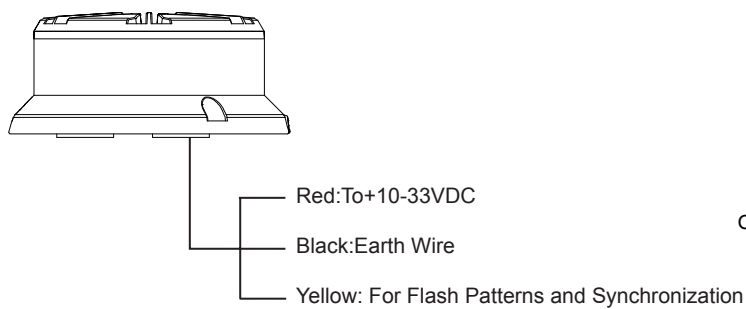


Suction cup

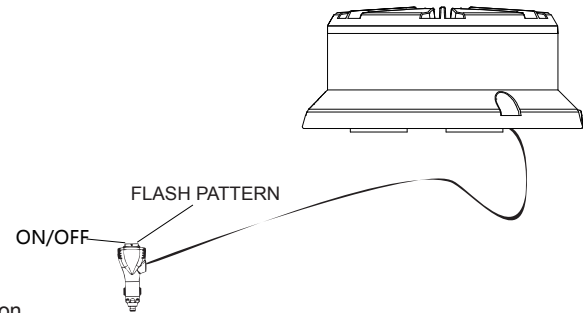


Magnetic

Wiring



Single line: 20AWG × 3C (red, yellow, black) 35cm



Three-core parallel lines: 18AWG × 3C / 3 m+ A13-163 cigarette lighter

Flash Patterns

1. ECE R65 120FPM single (all)
2. ECE R65 120FPM Double (all)
3. ECE R65 120FPM Rotator (all)
4. Slow rotation (all)
5. Quad (all)
6. ECE R65 120FPM single (Split)
7. ECE R65 120FPM Double (Split)
8. Quad (Split)

Flash Pattern: the YELLOW line to + VDC

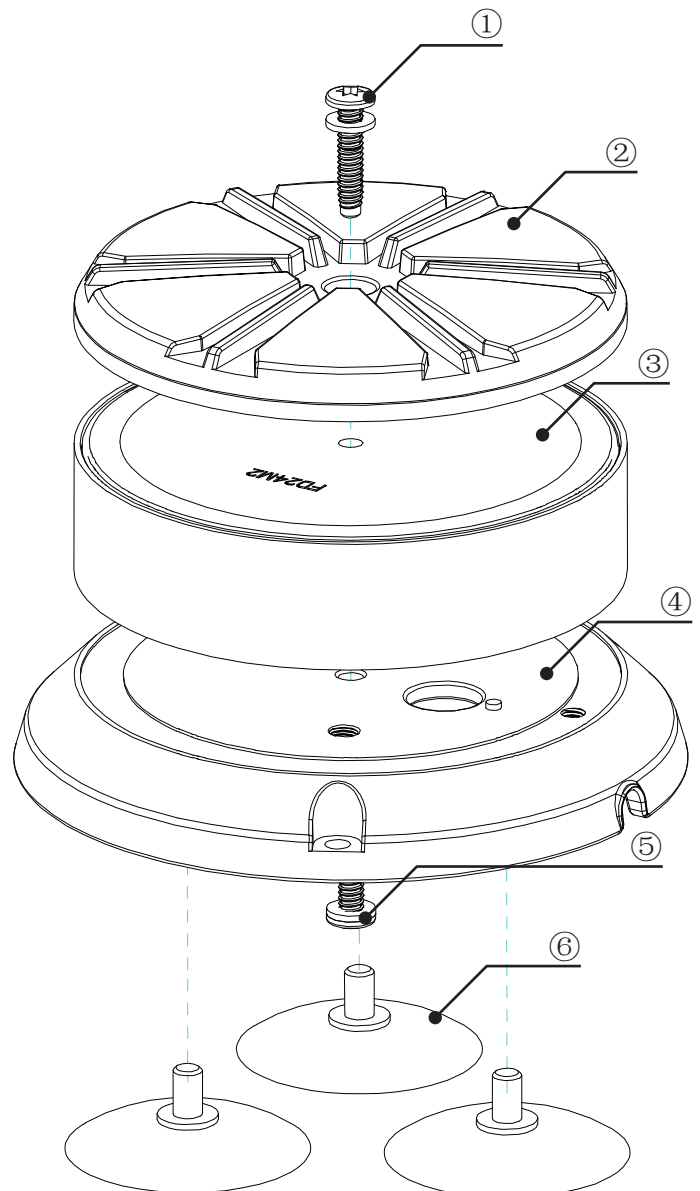
- Less than 1 second for the NEXT pattern.

- More than 5 seconds for the first pattern.

Synchronization (Except Magnetic Mount):

To sync two beacons, with the power off, connect the YELLOW wires from each beacon together. Power on and take the YELLOW wires to +VDC 5 seconds for the first pattern. Now, their patterns will be synchronized.

- ①, ⑤: Torx cap screw
- ② Aluminum cover
- ③ LED module
- ④ Aluminum base
- ⑥ With screw sucker (TPE)



WARNING: Please clean the glass before using the suction cup