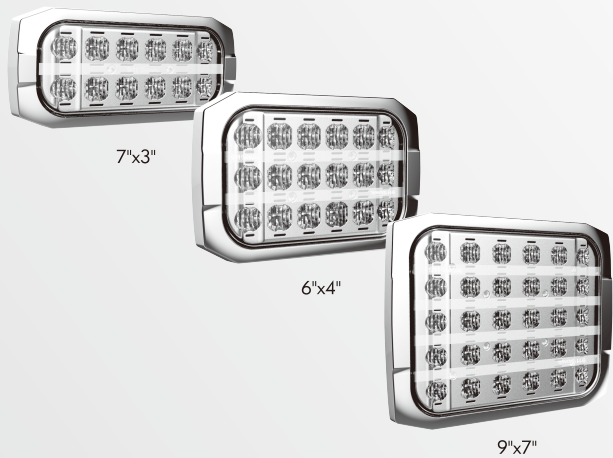


911 SIGNAL[®]



STARK O

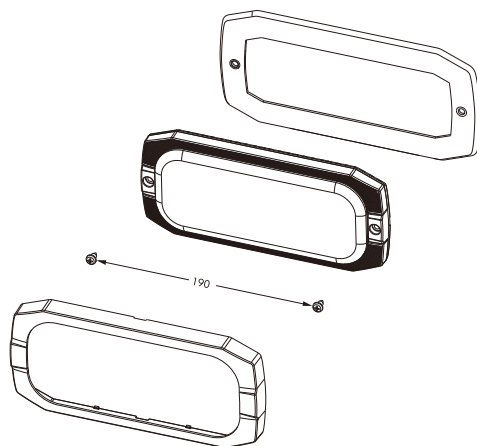
| 7"x3" | 6"x4" | 9"x7" |

Multi-functional with warning light work light and STT

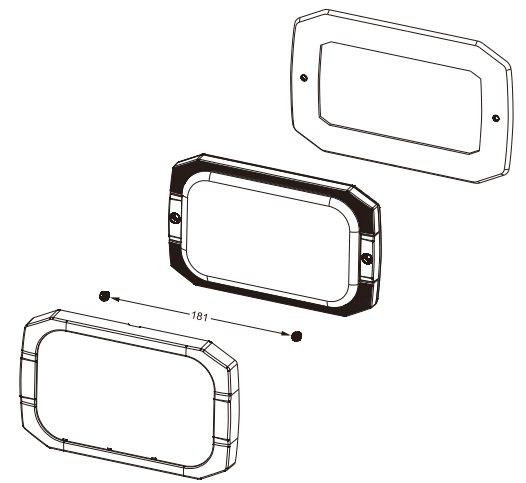
TECHNICAL SPECIFICATIONS

Model	Stark O 7"x3"			Stark O 6"x4"			Stark O 9"x7"		
	Item	023401	023402	023403	023417	023418	023419	023420	023421
Warning Color	Single	Dual		Single	Dual		Single	Dual	
Signal Light	x	√	x	x	√	x	x	√	x
Voltage	10-33VDC								
Max Power	20W			27W			45W		
LED	12pcs 3W	24pcs 3W	18pcs 3W	36pcs 3W	30pcs 3W	60pcs 3W			
Lens	TIR								
Flash Patterns	96								
Mount	Surface Mount								
Operating Temperature	-30 to 70°C								
Certification	SAE, CA T13, R65, R10, NFPA, KKK								

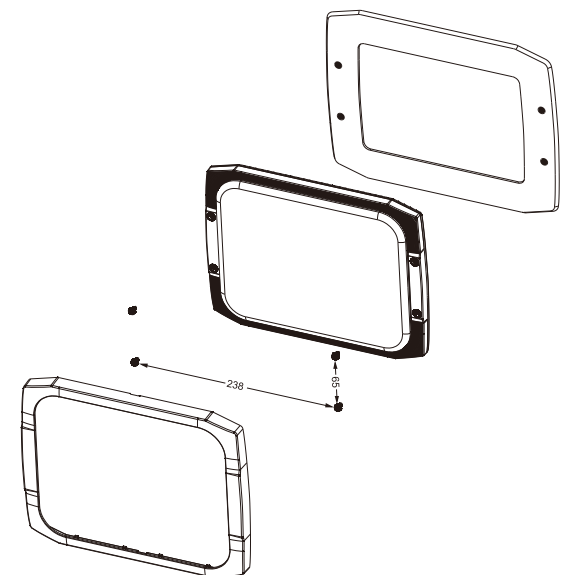
MOUNT- STARK O 7"x3"



MOUNT- STARK O 6"x4"



MOUNT- STARK O 9"x7"



WIRING DIAGRAM

Single Color Model

RED	+VDC
BLACK	GND
BROWN	Color 1 "+"
YELLOW	Synchronization/Flash Pattern Selection/Reset
WHITE	Alternation

Dual Color Model

RED	+VDC
BLACK	GND
BROWN	Color 1 "+"
BLUE	Color 2 "+"
PINK	Reversing Light
YELLOW	Synchronization/Flash Pattern Selection/Reset
WHITE	Alternation
ORANGE	Brake Mode
GRAY	Turn Signal
PURPLE	Position Light

FUNCTIONS

- Connect the RED wire to 10-33 VDC and extend the BLACK wire to the ground post to activate the product.
- For warning light color 1, connect the BROWN wire to RED wire.
- (Only applicable for dual-color model) Connect the BLUE wire to RED wire for warning color 2.
- Apply the PINK wire for reversing light.
- Connect YELLOW wires of all heads together for synchronization.
- To change flash patterns, apply the YELLOW wire to +VDC for less than 1 second and release.
- Flash patterns will be reset when YELLOW wires are connected to RED wire for more than 5 seconds.
- With the power off, connect the WHITE wire from one lighthouse to +VDC and leave the other unconnected. Their patterns will alternate when the lighthouses are activated.
- To engage brake mode/ turn signal/ position light, connect the ORANGE/ GRAY/ PURPLE wires to the corresponding signal wires of the vehicle.

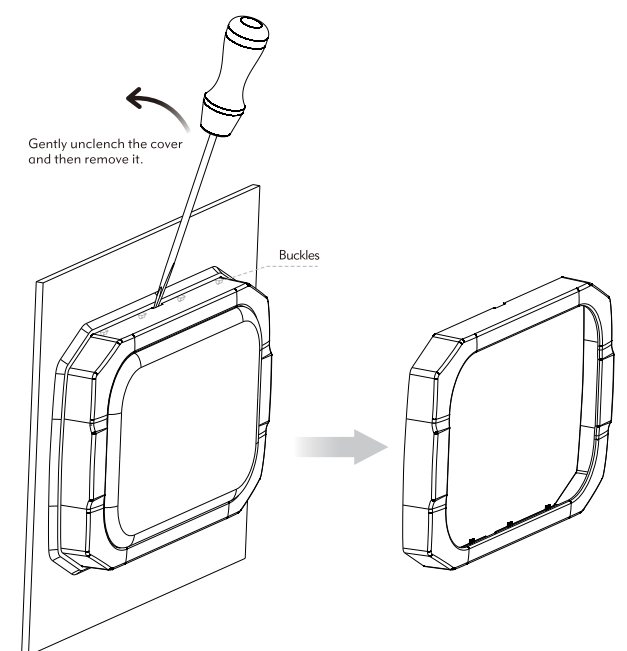
OVERRIDE SEQUENCE

- Turn signal overrides all functions.
- Brake mode overrides reversing light.
- Reversing light overrides warning lights.
- Position light has the lowest priority.

FLASH PATTERNS

1	Steady	49	Long-Short 75 (Dia)
2	ECE R65 Single 120 (All)	50	Quad 75 (All)
3	ECE R65 Single 120 (R/L)	51	Quad 75 (R/L)
4	ECE R65 Single 120 (T/D)	52	Quad 75 (T/D)
5	ECE R65 Single 120 (Dia)	53	Quad 75 (Dia)
6	ECE R65 Double 120 (All)	54	Handfull 75 (All)
7	ECE R65 Double 120 (R/L)	55	Handfull 75 (R/L)
8	ECE R65 Double 120 (T/D)	56	Handfull 75 (T/D)
9	ECE R65 Double 120 (Dia)	57	Handfull 75 (Dia)
10	ECE R65 Triple 120 (All)	58	Ultra 75 (All)
11	ECE R65 Triple 120 (R/L)	59	Ultra 75 (R/L)
12	ECE R65 Triple 120 (T/D)	60	Ultra 75 (T/D)
13	ECE R65 Triple 120 (Dia)	61	Ultra 75 (Dia)
14	Triple 75 (All)	62	Quint 75 (All)
15	Triple 75 (R/L)	63	Quint 75 (R/L)
16	Triple 75 (T/D)	64	Quint 75 (T/D)
17	Triple 75 (Dia)	65	Quint 75 (Dia)
18	Single 60 (All)	66	Combo Alert 150 (All)
19	Single 60 (R/L)	67	Combo Alert 150 (R/L)
20	Single 60 (T/D)	68	Combo Alert 150 (T/D)
21	Single 60 (Dia)	69	Combo Alert 150 (Dia)
22	Single 75 (All)	70	Combo Alert 75 (All)
23	Single 75 (R/L)	71	Combo Alert 75 (R/L)
24	Single 75 (T/D)	72	Combo Alert 75 (T/D)
25	Single 75 (Dia)	73	Combo Alert 75 (Dia)
26	Single 90 (All)	74	Single_Quad (All)
27	Single 90 (R/L)	75	Single_Quad (R/L)
28	Single 90 (T/D)	76	Single_Quad (T/D)
29	Single 90 (Dia)	77	Single_Quad (Dia)
30	Single 300 (All)	78	Single H/L (All)
31	Single 300 (R/L)	79	Single H/L (R/L)
32	Single 300 (T/D)	80	Single H/L (T/D)
33	Single 300 (Dia)	81	Single H/L (Dia)
34	Double 75 (All)	82	Single 60/120 (All)
35	Double 75 (R/L)	83	Single 60/120 (R/L)
36	Double 75 (T/D)	84	Single 60/120 (T/D)
37	Double 75 (Dia)	85	Single 60/120 (Dia)
38	Double 150 (All)	86	Single 60/Triple 75 (All)
39	Double 150 (R/L)	87	Single 60/Triple 75 (R/L)
40	Double 150 (T/D)	88	Single 60/Triple 75 (T/D)
41	Double 150 (Dia)	89	Single 60/Triple 75 (Dia)
42	Long-Short 120 (All)	90	Accelerator (All)
43	Long-Short 120 (R/L)	91	Accelerator (R/L)
44	Long-Short 120 (T/D)	92	Accelerator (T/D)
45	Long-Short 120 (Dia)	93	Accelerator (Dia)
46	Long-Short 75 (All)	94	Rotate 120
47	Long-Short 75 (R/L)	95	Rotate 75
48	Long-Short 75 (T/D)	96	Steady California

HOW TO REMOVE COVER



911 Signal Technology Inc.

Add: Room 701-702, Hengwei Building, No. 258, Tiangao Lane, Shouan Subdistrict, Yinzhou Area, Ningbo City, Zhejiang, China.

Tel: +86 574 89017911 +86 400 6757911

Fax: +86 574 82822560

Email: sales@911signal.com

Website: www.911signal.com