

# INSTALLATION INSTRUCTIONS

---

Clean and simple look. Screwless Structure. Designed by Dutch engineer.

Four mounts. Three-screw mount, magnetic mount, Flexi-Din, single screw mount.

12 Fresnel lens are used for the center light source. Horizontal light output ensures visibility at distance.

Synchronization and alternation of multiple beacons under different wiring modes.

The lampshade is made of UV-resistant PC, base made of aluminum alloy to facilitate heat dissipation and extend life span.

Working under 10-33V DC.

ECE R65 Class1;SAE Class1 certified.IP67 certified .

8 flash patterns.

Max speed of 140Km/h under magnetic mount.

---

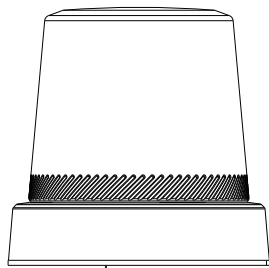
## LED Beacons

Item: 080801

[www.911signal.com](http://www.911signal.com)



# WIRING

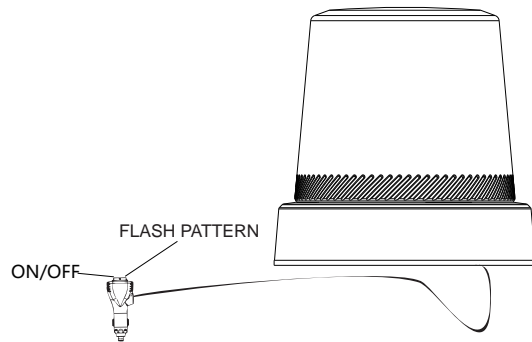


Red: TO +10-33V DC

Black: TO Chassis Ground

Yellow: For Flash Patterns and synchronization

Single line: 20AWG x 3C (red, yellow, black) 35cm



FLASH PATTERN  
ON/OFF

Three-core parallel lines: 18AWG x 3C / 3 m+ A13-163 cigarette lighter

# FLASH PATTERNS

1. ECE R65 120FPM Single (all)
2. ECE R65 120FPM Double (all)
3. ECE R65 120FPM Rotator (all)
4. Slow Rotation (all)
5. Quad (all)
6. ECE R65 120FPM Single (Split)
7. ECE R65 120FPM Double (Split)
8. Quad (Split)

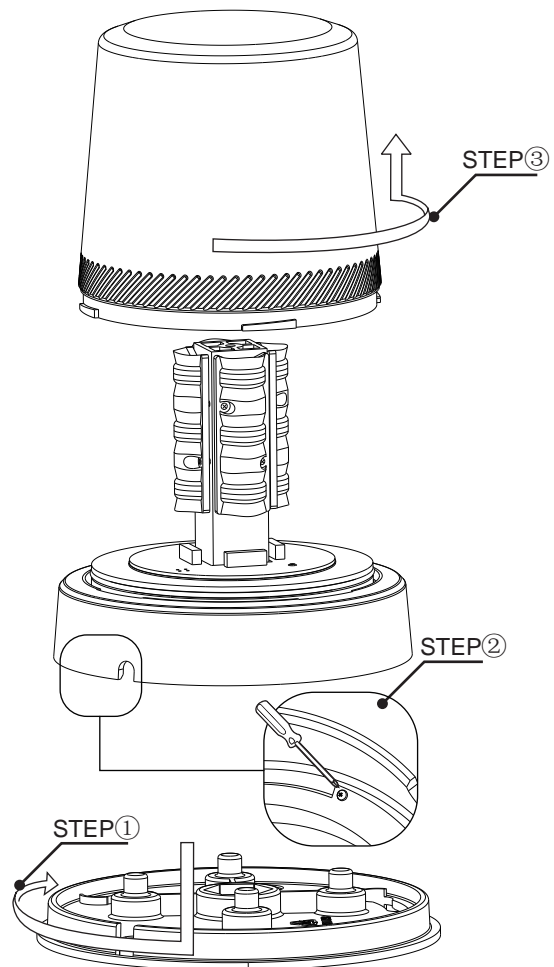
Flash Pattern: the YELLOW line to + VDC

- Less than 1 second for the NEXT pattern.
- More than 5 seconds for the first pattern.

Synchronization (Except Magnetic Mount):

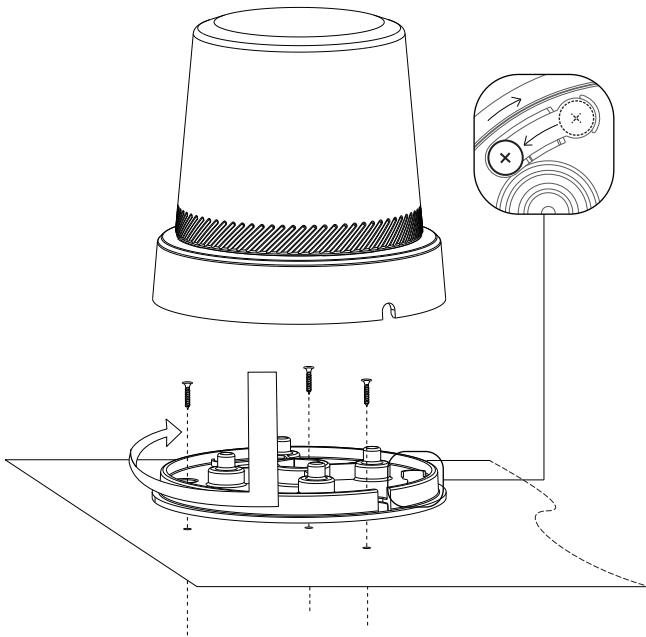
Turn off the power, connect the YELLOW wires from each beacon together.  
Power on, YELLOW wires on +VDC for 5 seconds, the first pattern would be flashing and the beacons synchronized.

## Disassembly

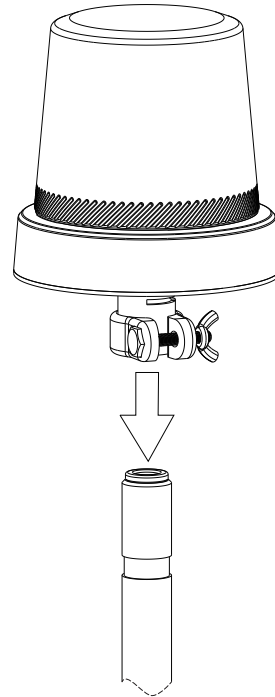


# MOUNTING

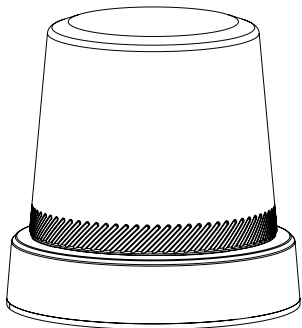
Screw mount



Flex-Din

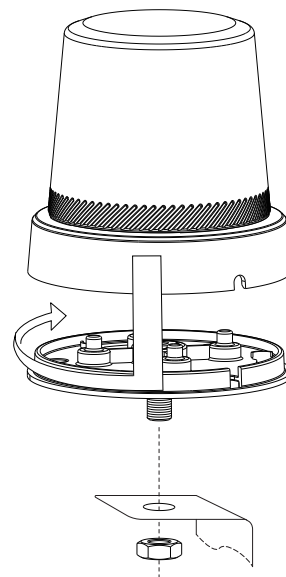


Magnetic



 Max speed: 140Km/h

Single Point





---

**Your Innovative and  
Reliable Partner**

[www.911signal.com](http://www.911signal.com)



Would you like to extend  
one more year of warranty?

## **911 Signal Technology Inc.**

Add: Room 701-702, Hengwei Building, No.258, Tiangao Lane,  
Shouan Subdistrict, Yinzhou Area, Ningbo City, Zhejiang, China.

Tel: +86-574-8901 7911 +86-400 6757 911

Fax: +86-574-8282 2560

E-mail: [sales@911signal.com](mailto:sales@911signal.com)