

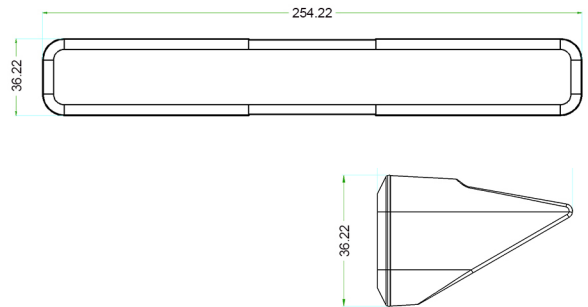
SL WorkLight
Item: 120601



■ PRODUCT CHARACTERISTICS

• SL can be easily fitted to the side of your vehicle. For those who are upgrading to a new scene light, you may find it super easy to install SL because the wire connector can be adjusted to the location that fits your original mounting location.

■ TECHNICAL DRAWING



■ TECHNICAL SPECIFICATIONS

Item	Voltage	Power	Lux	Lumen	LED	Color Temp	Certificate
120601	DC 10-33V	15W	290lx(2M)	1000lm	9Pcs 2W LED	6000K	R10

■ PRODUCT OVERVIEW

Item	120301
Flood Light	x
Cable	x
PC Lens	x
Polarity Reversal Protection	x
Mount:Side	x

■ LIGHTING

