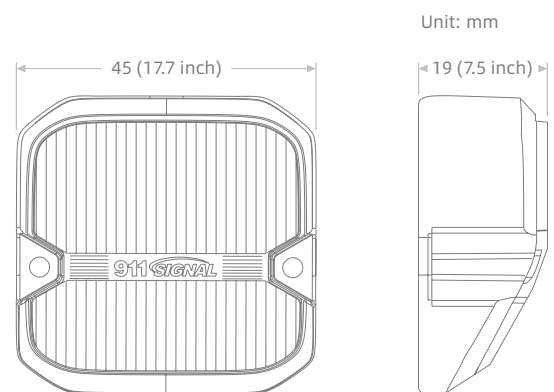




FEATURES

- ⊙ Can work with most of US brand control systems
- ⊙ Only 45*45*19mm without bezel
- ⊙ Combination of warning light and floodlight
- ⊙ Lighting angle 25° downward, constant and stable light output of 360lm
- ⊙ Surface screw mount, bracket mount, adjustable hose clamp mount and other different mounting options
- ⊙ SAE J595, CA T13, ECE R65 Class2, ECE R10

| | | |
|-----------------------|---|---------|
| Code | POLARIS | |
| Item | 024122R | 024122B |
| Warning light | ● | ● |
| Work light | ○ | ○ |
| Voltage | DC 12V | |
| Max Power | 13.5W | |
| Lens | TIR | |
| Illumination Lumens | 360lm | |
| Flash Patterns | 12 | |
| IP Rating | IP67+IP69K | |
| Operating Temperature | -30° C to +70° C | |
| Certifications | SAE J595 CA T13 ECE R65 Class2 ECE R10 | |
| Mounting | Surface Mount Bracket Mount Adjustable Hose Clamp Mount | |
| Warranty | Five-year Warranty | |






Ningbo Vasa Import and Export Co., Ltd.

Office Address: Room 701-702, Heng Wei Building, No.258, Tian Gao Lane, Shouan subdistrict, Yinzhou Area, Ningbo City, Zhejiang, China.

Tel: +86 574 89017911 - 8001 **Fax:** +86 574 82822560

Email: sales@911signal.com



| Item | Name | Picture | Specifications | Application |
|--------|---------------------------------------|---|--|--|
| 106301 | U-shaped bracket |  | Aluminum plastic spraying powder 2 pcs L-shaped brackets U stand 1pcs 4pcs M3 riveting nuts suitable hole distance 26MM | The bracket enable the lighthouse to be installed on uneven surface and luggage rack |
| 106302 | Stainless adjustable hose clamp mount |  | 304 stainless steel 12mm width Using diameter 10-100mm | Together with u-shaped adjustable bracket, the clamp can be mounted on the THULE luggage rack, round and square tube |
| 106303 | Polaris-White Bezel |  | White bezel ABS | -- |

Ningbo Vasa Import and Export Co., Ltd.

Office Address: Room 701-702, Heng Wei Building, No.258, Tian Gao Lane, Shouan subdistrict, Yinzhou Area, Ningbo City, Zhejiang, China.

Tel: +86 574 89017911 - 8001 **Fax:** +86 574 82822560

Email: sales@911signal.com

