

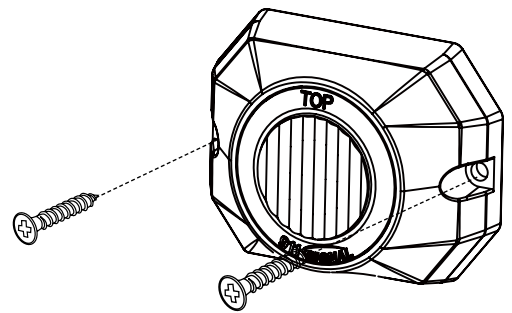
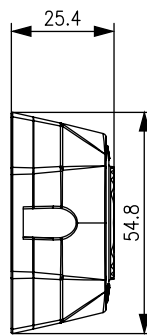
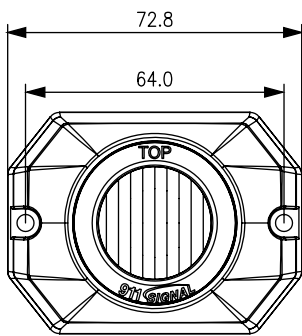
P3 Pro

LIGHTHEAD

ITEM:021401



1. Made with durable PMMA lens and aluminum alloy heat dispenser
2. One piece design that integrates flash control modules
3. Able to support sync and alternation flash of multiple lightheads
4. Working under 10-33V. IP67 certified
5. ECE R65,R10; SAE J595 class1 certified
6. 13 flash patterns (Including R65 120FPM Double)
7. Suggested location for mounting is on the bumper
8. Five-year warranty



Code	Item	Color	Voltage	Max Power	LED	Flash Pattern	Lens	Certificate	Mount
P3-Pro	021401A	●	10-33V	9W	3Pcs 3W LED	13	TIR	ECE R65 ECE R10 SAE J595 class1	Surface Mount Bracket Msount
	021401R	●							
	021401B	●							
	021401W	○							