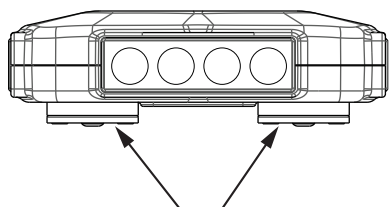


O4 Mini LED Lightbar

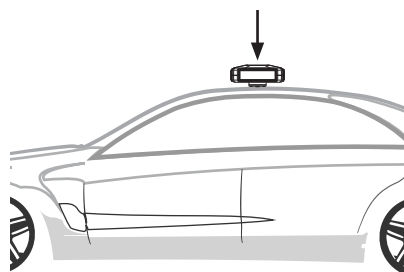
- Meets ECE R65 (XA1 00 0026), ECE R10 (03 12468), SAE-07-W-2
- 360-degree lighting system with extremely low amperage draw
- Fully encapsulated and fully waterproof
- All plastic weather resistant construction
- Voltage: DC 10-33V
- Includes magnet Mount
- Cigar plug A13-163 with on/off switch



Installation

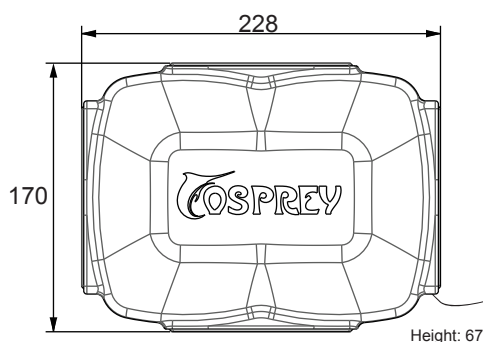


Two magnets were fixed with 4 screws at the bottom of the lightbar



Installed by magnet at the top of car

Instructions



FLASH PATTERN
ON/OFF

Control with A13-163 Cigar plug

Warning: Don't look directly into the LEDs, while in operation. May cause momentary blind ness and/or eye damage.

Flash Patterns

- | | | | | | |
|-----------|-----------|-----------------|---------|------------------|--------------|
| 0. Random | (default) | 6. Ultra | (split) | 12. Quint | (all) |
| 1. Single | (split) | 7. Single- Quad | (split) | 13. Mega | (all) |
| 2. Double | (split) | 8. Single H/L | (split) | 14. Ultra | (all) |
| 3. Quad | (split) | 9. Single | (all) | 15. Single- Quad | (all) |
| 4. Quint | (split) | 10. Double | (all) | 16. Single H/L | (all) |
| 5. Mega | (split) | 11. Quad | (all) | 17. Steady 2 | (california) |
| | | | | 18. Steady 4 | (all) |