



**IMPACT** <sup>TM</sup> **Siren Series**

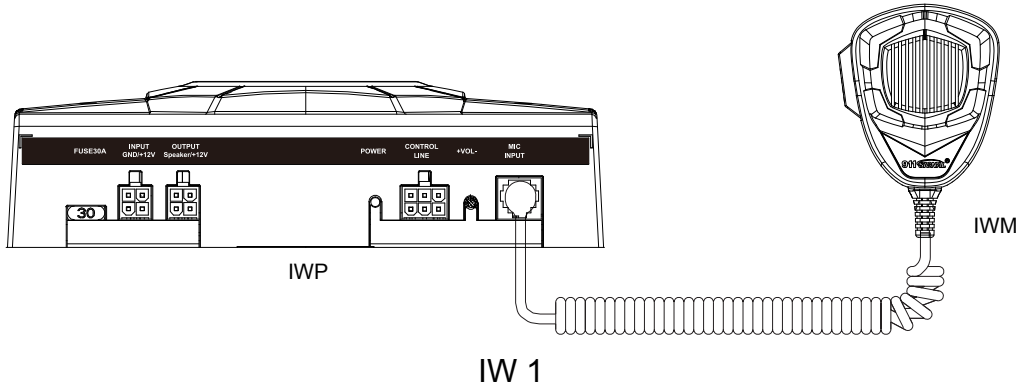
**Model: IW 1**

**INSTALLATION  
AND  
MAINTENANCE INSTRUCTIONS**



## DESCRIPTION AND SPECIFICATION

The 911 Signal model IW1 Siren is a ECO Configuration called the IMPACT™ siren series. The siren includes an Amplifier / Relay Unit (IWP) and a Microphone (IWM).



- IW 1 - Provides an electronic siren and light control system.
- IW 1 - Provides four kinds of siren sounds.
- IW 1 - Offers a total of 10A load output for the light system.

### IW 1 Specification

Input Voltage .....	12V
Operating Temperature Range .....	-20°C to + 60°C.
Standby Current .....	Less than 0.1 amps
Operating Current .....	10 amperes (nominal).
(no lamps on) (12V battery, 8 ohm @ 100W )	
Frequency Range .....	300 to 1600Hz.
Nominal Voltage Output .....	12V.
Maximum Output Current .....	10 amps .
Harmonic Distortion.....	Less than 10% from 5 to 100 watts.

## INSTALLATION INSTRUCTIONS

### 1.1 Unpacking and examining the siren unit

### 2.0 Amplifier / Relay Unit housting Mounting.

Caution: The IW 1 Amplifier/Relay Unit housing is NOT waterproof. It must be mounted in a location which is sheltered from falling rain, snow, standing water, etc. Also, it must be installed in an adequately ventilated area. Never install near heater ducts. Do not mount the IW1 Amplifier/Relay Unit under the vehicle's hood.

2.1 Mounting Location Selection, See Figure 2-1 (Dimensions)

Please select the location larger than the size of the IW1 to install.

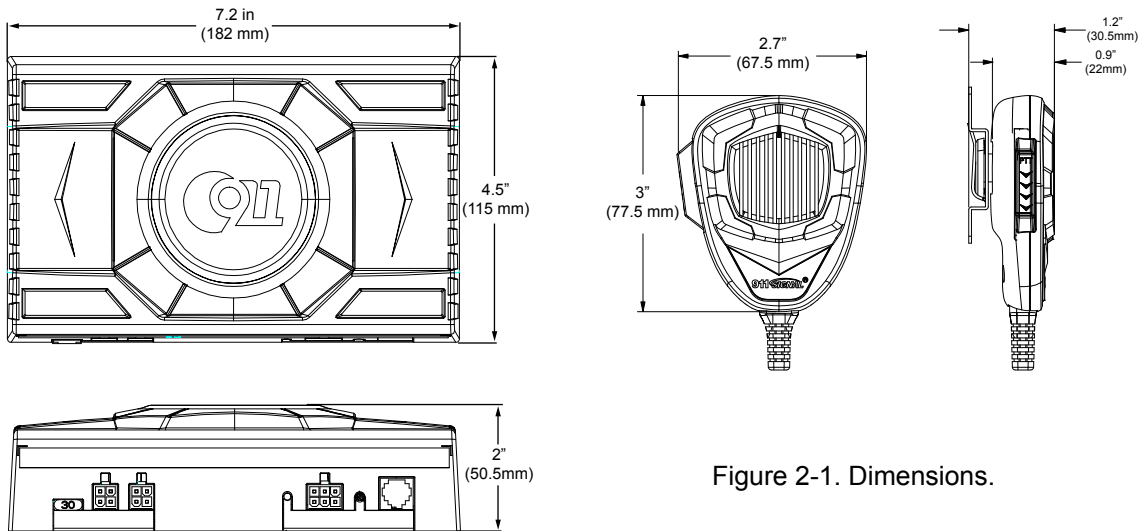


Figure 2-1. Dimensions.

2.2 Mounting and Installing the Siren Unit

2.2.1 Mounting Brackets. See Figure 2-2 (Brackets) There are two ways to choose from.

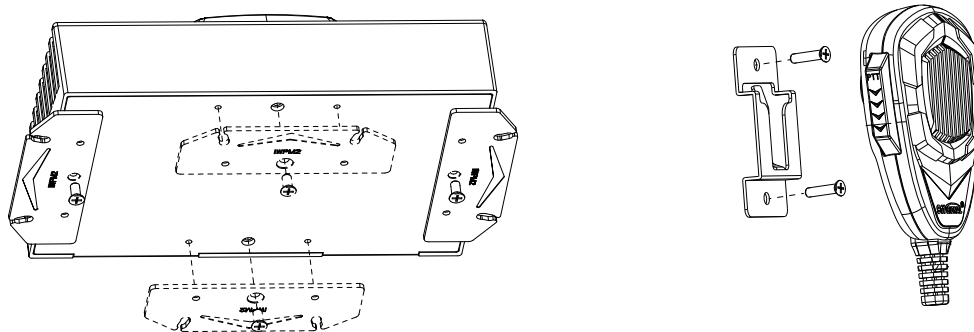


Figure 2-2. Brackets.

2.2.2 Screw Mounting. See Figure 2-2-2 (Screw)

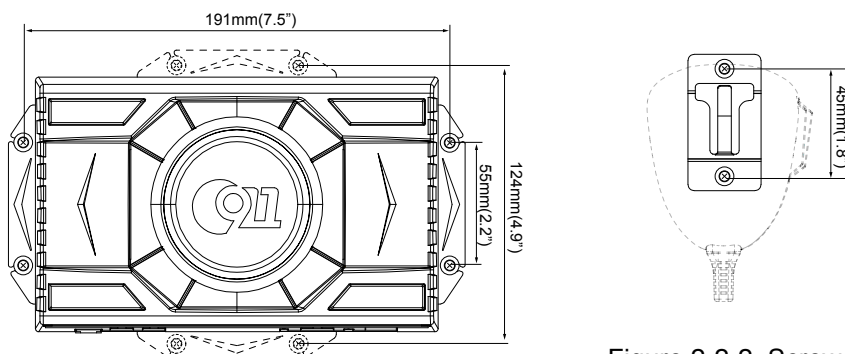
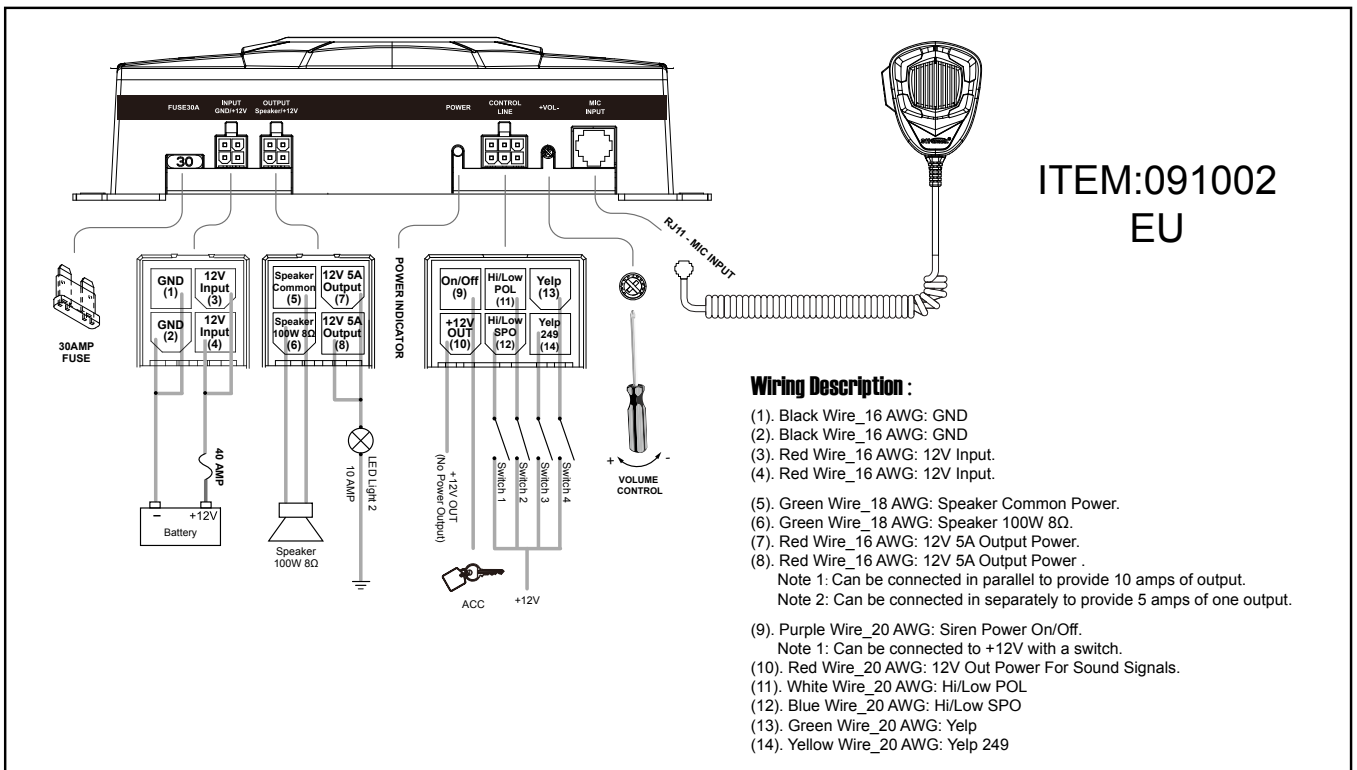
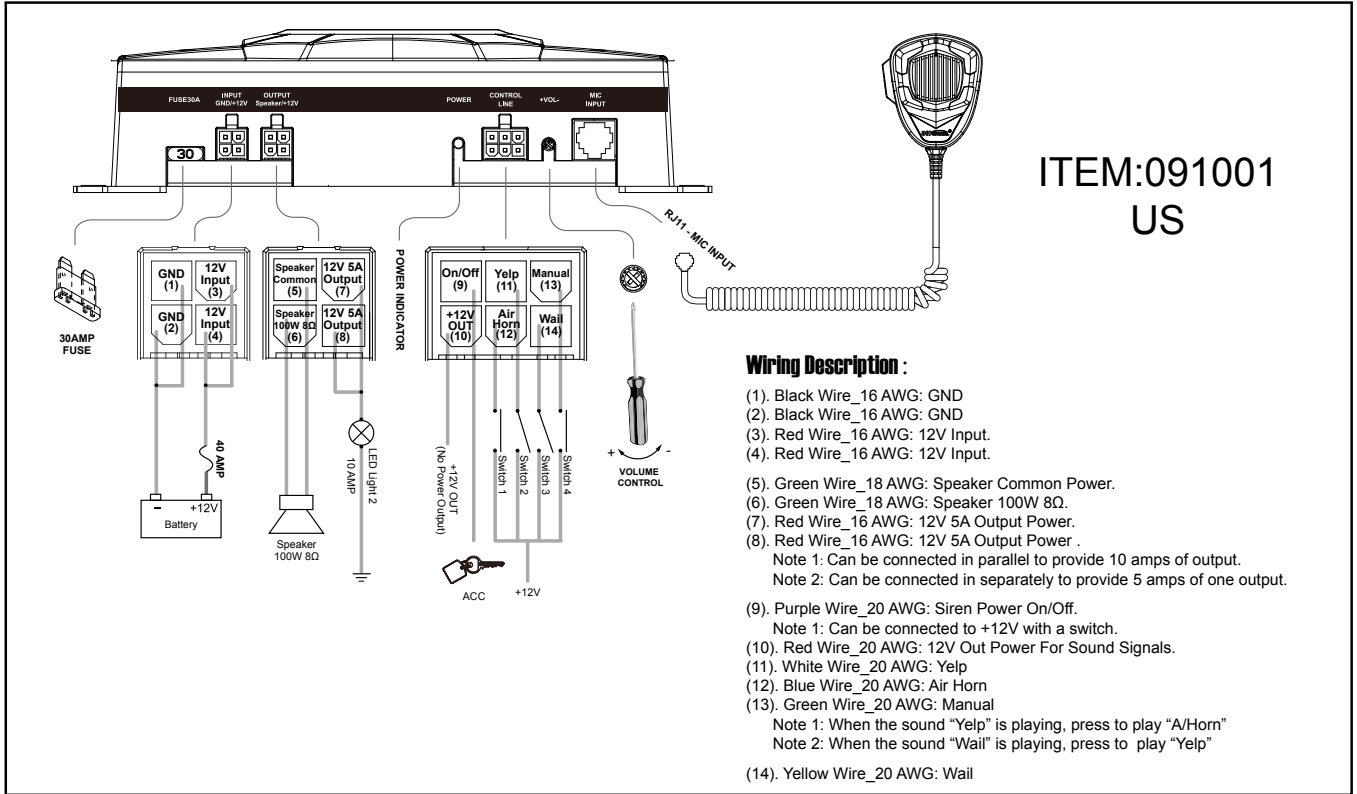


Figure 2-2-2. Screw.

2.3 Wiring. (Wiring Diagram)





3.1

## Important Warning.

- Your hearing and the hearing of others, in or close to your emergency vehicle, could be damaged by loud sounds.
- All effective sirens and horns produce loud sounds (120 dB) that may cause permanent hearing loss. Always minimize your exposure to siren sound, roll up your windows and wear hearing protection device.
- Do not sound the siren indoors or in enclosed areas where you and others will be exposed to the sound. Only use the siren for emergency response situations.

### 4.0 Service and Maintenance

For warranty service, contact your local Distributor. The factory can and will service your equipment or assist you with technical problems that cannot be handled satisfactorily and promptly locally.

The Amplifier / Relay Unit internal structure. See figure 4-1

4.1 To disassemble the Amplifier/Relay Unit, operate as follows:

- (A). Disconnect the Amplifier / Relay Unit cable. Remove the bracket (if used).
- (B). Remove the 911 logo stickers.
- (C). Remove and retain the screws from the front part of the Amplifier / Relay Unit.
- (D). Separate the rear housing (base) of Amplifier/Relay Unit from the bezel.
- (E). Lift the surface cover of the transformer out through the bezel.
- (F). After repair or replacement, Reassemble by the previously removed screws. Reassemble bracket (if used), and insert the modular connector.

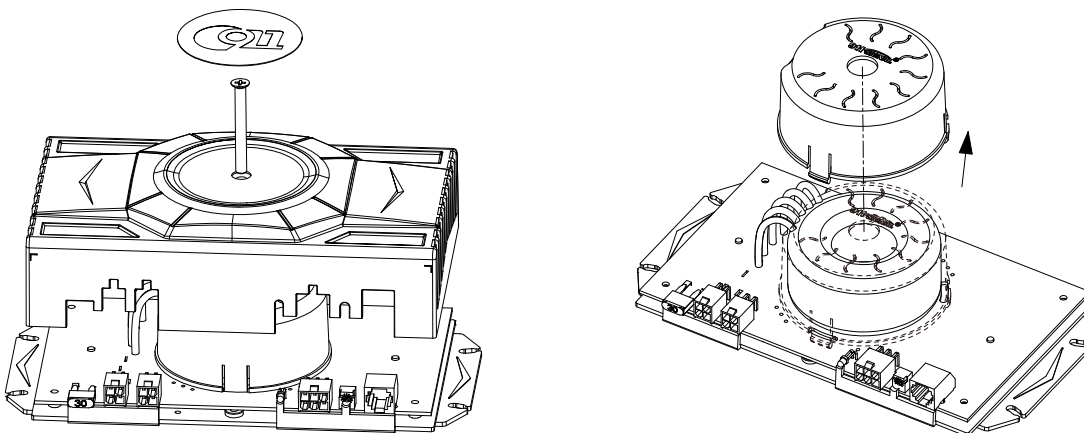


Figure 4-1. Internal structure