

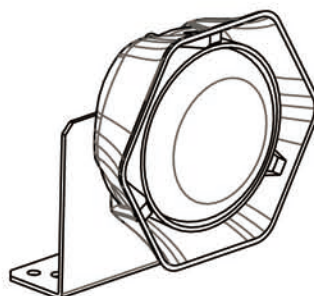
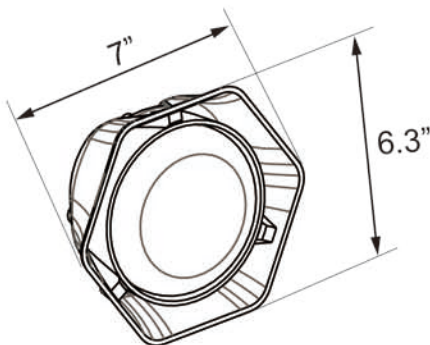
H100

Speaker Suitables for small space



- Application : Police vehicles, Fire and Ambulance
- Meets and exceeds SAE J8149 requirements.
- Comes with FREE mounting bracket.
- Smaller size with full size performance will mount in more locations.
- Perfect for concealed installations.

| Code | Power | Impedance | Frequency | Sound Distortion | Sound Pressure |
|------|-------|-----------|------------|------------------|----------------|
| H100 | 100W | 11Ω | 260-4500HZ | ≤5% | 120-130dB |



High:2.6"

FEATURES

1. Smaller size speaker with full size performance will mount in more locations.
2. Installs easily and delivers traffic clearing warning where it's needed.
3. Universal mounting bracket, plus vehicle specific brackets available.
4. nylon composite black housing provides complete weather and corrosion protection for all internal components.
5. Neodymium magnet, ferrofluid cool.