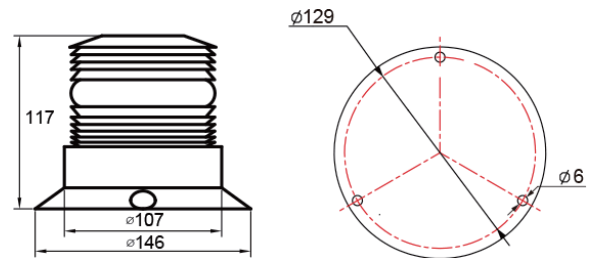
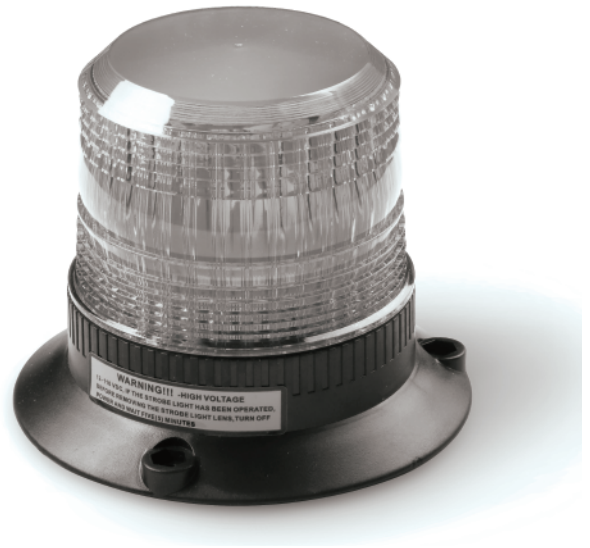


LED Beacons F105

This Strobe Beacon uses xenon tube, and the housing of the beacon is waterproof, so use in inclement weather will not effect the performance of the emergency vehicle strobe light.

Signalbeacon is very popular used as emergency vehicle, The main reason this type of emergency vehicle equipment is still used today is because it is very effective in attracting driver and pedestrian's attention.

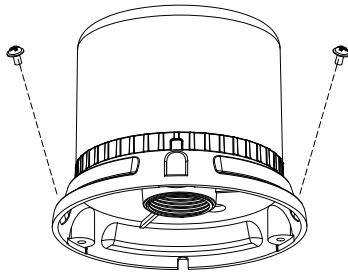
Better yet, beacons are very cost effective ways to equip emergency vehicles or to add to a vehicle's existing LED lights.



MOUNTING

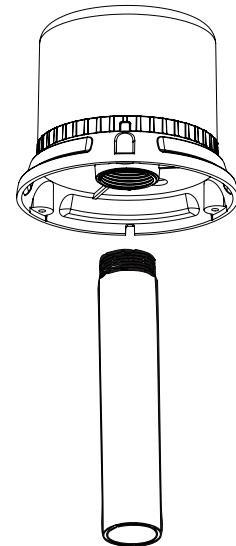
① Permanent Mount

Accessory: 3 Screws



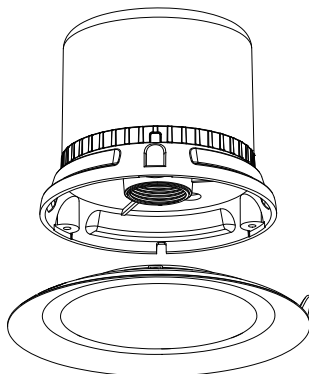
② Pipe Mount

Accessory: 1 retractable Pipe (don't include)



③ Magnetic Mount

Accessory: 1 base with Magnet, 1 plate



④ Wiring

use a cigarette lighter

