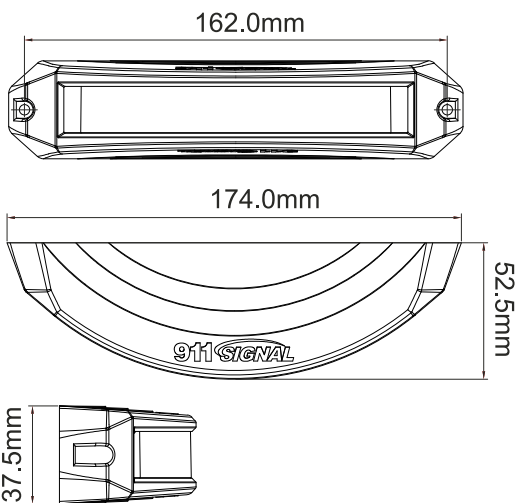




C9

Features

- > 180 degree visibility
- > Available in single, split, dual and triple colors
- > Optimized LED reflectors maximize light intensity
- > Eyebrows protect the lighthead against impacts and scratches
- > Aluminum housing offers the best protection and heat dissipation
- > Fully encapsulated for moisture, vibration and corrosion resistance



Single Color

Item	Color	Voltage	Max Power	Lens	LED	Flash Patterns	Operating Temperature	Certification	Mounting
020104	<ul style="list-style-type: none"> ● ● ● ○ ● 	10-33V	13W	Reflex	9pcs 3W	19	-30 to 70°C	ECE R65, ECE R10	Surface Mount

Dual Color

Item	Color	Voltage	Max Power	Lens	LED	Flash Patterns	Operating Temperature	Certification	Mounting
023101T	<ul style="list-style-type: none"> ●● ●● ●● ●● ●● 	10-33V	13W	Reflex	18pcs 3W	12	-30 to 70°C	ECE R65, ECE R10	Surface Mount

Triple Color

Item	Color	Voltage	Max Power	Lens	LED	Flash Patterns	Operating Temperature	Certification	Mounting
023102	<ul style="list-style-type: none"> ●●● ●●● ●●● ●●● ●●● 	10-33V	13W	Reflex	27pcs 3W	12	-30 to 70°C	ECE R65, ECE R10	Surface Mount

911 Signal Technology Inc.

Tel: +86 574 89017911 - 8001 Fax: +86 574 82822560

Email: sales@911signal.com

www.911signal.com

