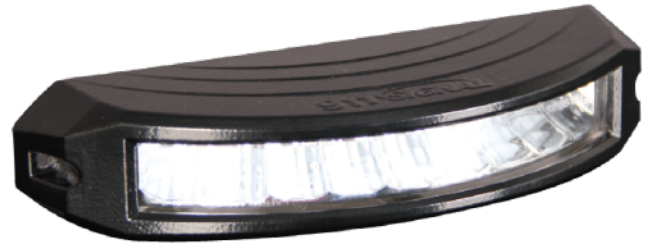
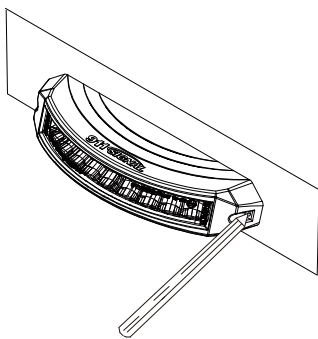


Intersector LED lighthouse C9

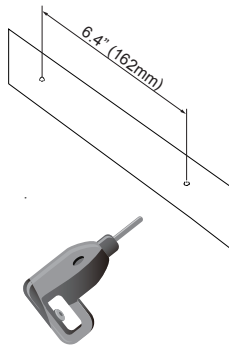
- Optimized LED reflectors maximize warning lights.
- Specially designed reflector amplifies and throws light, offers 180 degree output
- The perfect angle to increase visibility at intersections
- Tiny size, aluminum base.
- Includes Surface Mount and Bracket Mount options.



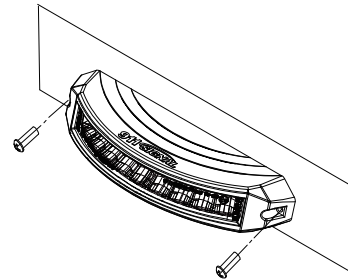
Surface Mount



① Determine the mounting locations for the LED module

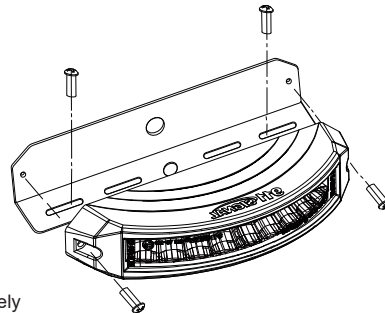
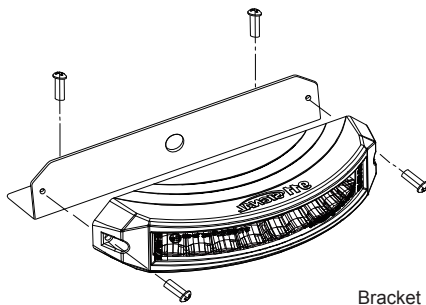


② Drill 2 holes on the mounting surface "



③ Install the LED module on the mounting surface by 2 screws

Bracket Mount



Bracket need to purchase separately
ITEM: 100304

MOUNTING

- TO + 10-33V DC (fuse @ 3A) ———— RED
- TO Chassis Ground ———— BLACK
- For Simultaneous or Alternating Flash
 - Group1 Heads: (wiring-White connected to RED) will flash together
 - Group2 Heads: (wiring-White not connected to RED) will flash together
 - Group1 Heads will alternate with Group2 Heads
- For Synchronization & Flash Patterns ———— YELLOW
 - Connect YELLOW wires of all heads together for synchronization

