

C12-E LED BEACON

911 Signal Technology Inc.

Add: Room 701-702, Hengwei Building, No. 258, Tiangao Lane, Shounan Subdistrict, Yinzhou Area, Ningbo City, Zhejiang, China.

Tel: +86 574 89017911 +86 400 6757911

Fax: +86 574 82822560

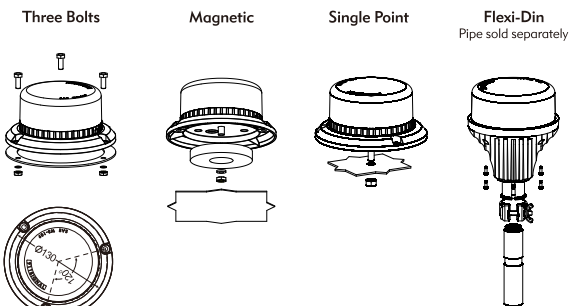
Email: sales@911signal.com

Website: www.911signal.com

TECHNICAL SPECIFICATIONS

Item	081701	081702	081703	081704
Color	Single			
Voltage	10-33VDC			
Max Power	18W			
Lens	Reflex			
LED	12pcs 3W			
Flash Patterns	22			
Operating Temperature	-30 to 70°C			
Mounting	Three Bolts	Magnetic	Single Point	Flexi-Din

MOUNT



~ Max speed:
 ~ 120m/h

WIRING

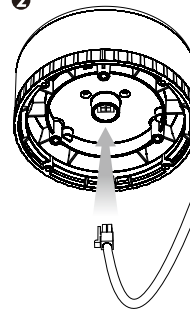
- 1 A13-163 cigar plug**
A13-E163 cigar plug
 Magnetic Mount

FLASH PATTERN



Cigarette plug sold separately

2

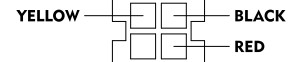


RED — For power supply to 10-33VDC

BLACK — GND

YELLOW — Synchronization, flash pattern selection and reset

- Connect YELLOW wires of all heads together for synchronization
- To change flash patterns, apply + VDC for less than 1 second and release
- Flash patterns will be reset when YELLOW wires are connected to RED wire for more than 5 seconds



FLASH PATTERNS

1	Random(Default)	12	Quad(All)
2	Single(Split)	13	Quint(All)
3	Double(Split)	14	Mega(All)
4	Quad(Split)	15	Ultra(All)
5	Quint(Split)	16	Single-Quad(All)
6	Mega(Split)	17	Single-H/L(All)
7	Ultra(Split)	18	ECE 65 Double Flash Phase 1
8	Single-Quad(Split)	19	ECE 65 Double Flash Phase 2
9	Single-H/L(Split)	20	ECE 65 120FPM singleFlash Phase 1
10	Single(All)	21	ECE 65 120FPM singleFlash Phase 2
11	Double(All)	22	ECE 65 125FPM Rotator Flash