

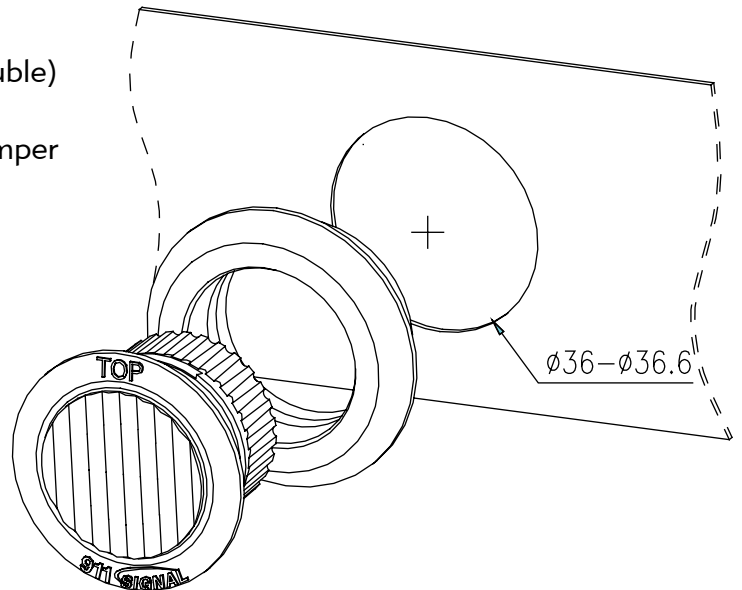
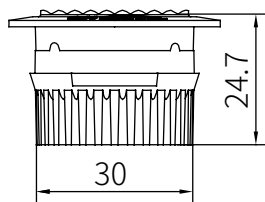
ANT Pro

LIGHTHEAD

ITEM:060601



1. Flush mount without obtruding the surface profile
2. L-shaped bracket available to choose from for product feature extensions
3. Made with durable PMMA lens and aluminum alloy heat dispenser
4. One piece design that integrates flash control modules
5. Able to support sync and alternation flash of multiple lightheads
6. Working under 10-33V. IP67 certified
7. ECE R65,R10; SAE J595 class1 certified
8. 13 flash patterns (Including R65 120FPM Double)
9. 3 pcs 3W LEDs
10. Suggested location for mounting is on the bumper
11. Five-year warranty



Code	Item	Color	Voltage	Max Power	LED	Flash Pattern	Lens	Certificate	Mount
ANT-Pro	060601A	●	10-33V	9W	3Pcs 3W LED	13	TIR	ECE R65 ECE R10 SAE J595 class1	Flush Mount Bracket Mount
	060601R	●							
	060601B	●							
	060601W	○							