

911 SIGNAL



AGILE SERIES

TECHNICAL SPECIFICATIONS

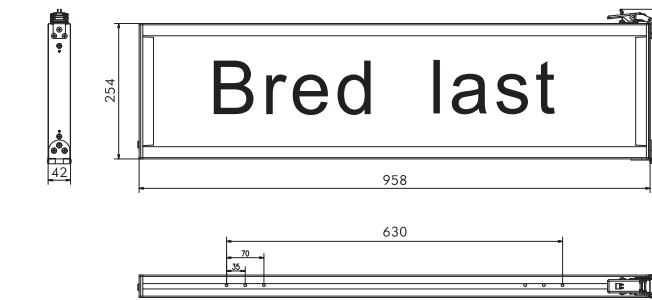
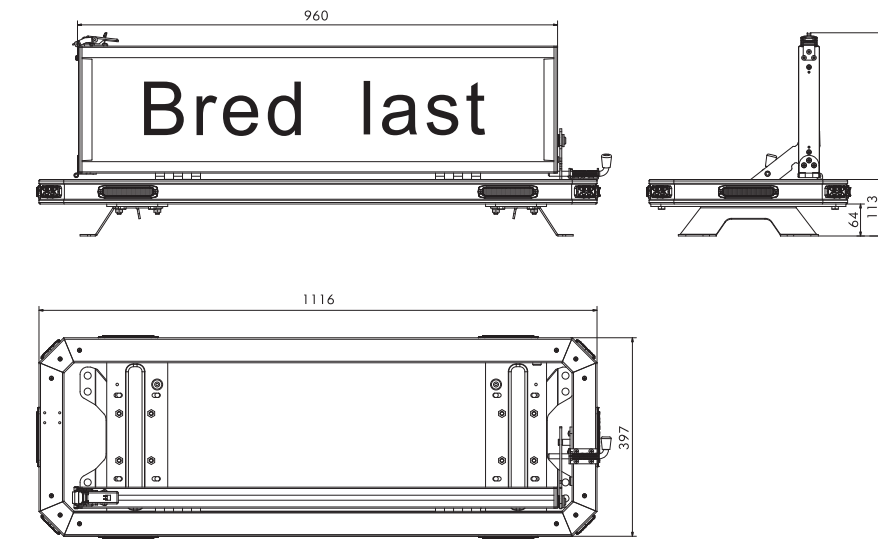
Item	160101	160201
Dimension (LxWxH)	1116x397x406mm	958x290x42mm
LED	60pcs	57pcs
Lens	TIR	/
Max Power	35W	9.5W
Flash Patterns	19	/
Voltage	DC 10-33V	DC 10-33V
Operating Temperature	-30 to +70°C	-30 to +70°C
Mount	Bracket Mount, Screw Mount	Screw Mount
Certification	ECE R65 TA2, TB2, R10	R10

FEATURES

- Foldable sign box with LED lighting
- Easy exchange of messages such as Bred last, Tung last and Lang last
- Internal storage of up to 4 sign plate
- For effective and visible notification
- A full 360° warning coverage to replace lightbar effectively
- The rear warning light can be controlled separately
- Simple and fast mounting

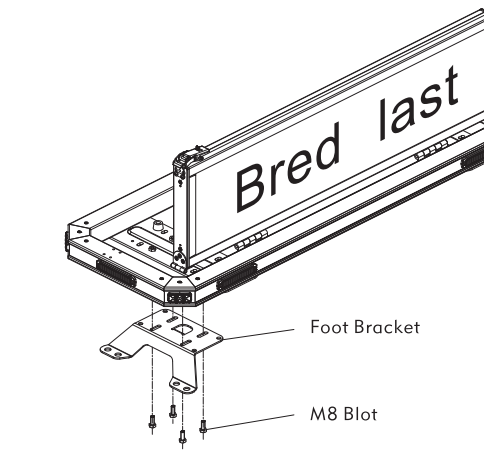
* You can buy the light sign separately

DIMENSIONS

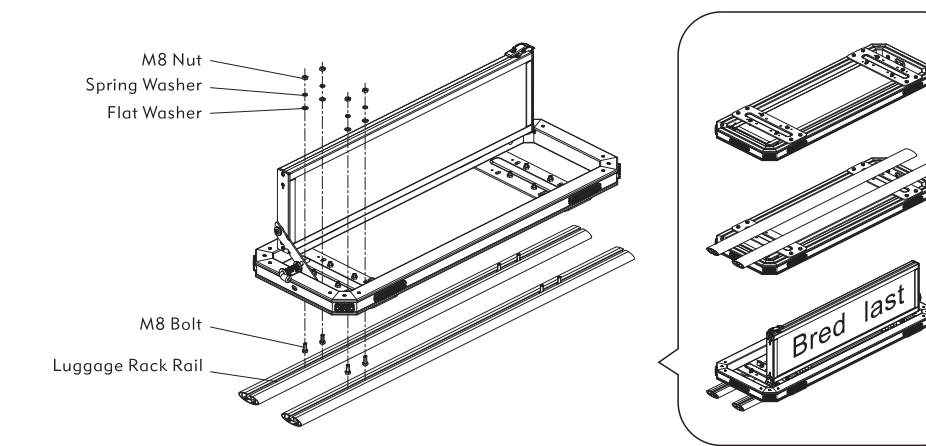


MOUNTING

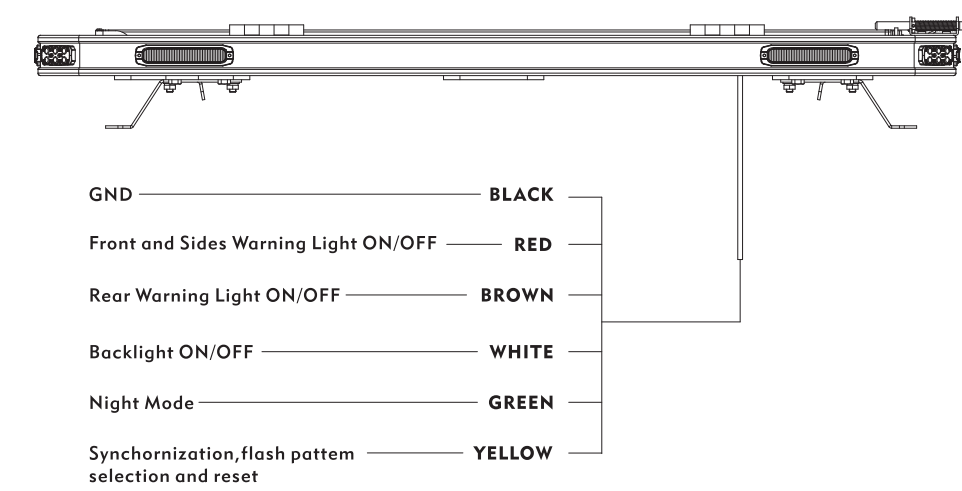
Bracket Mount



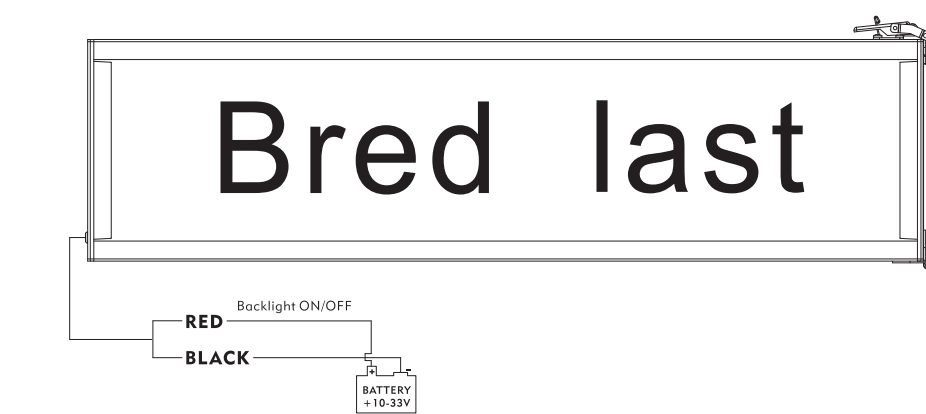
Screw Mount



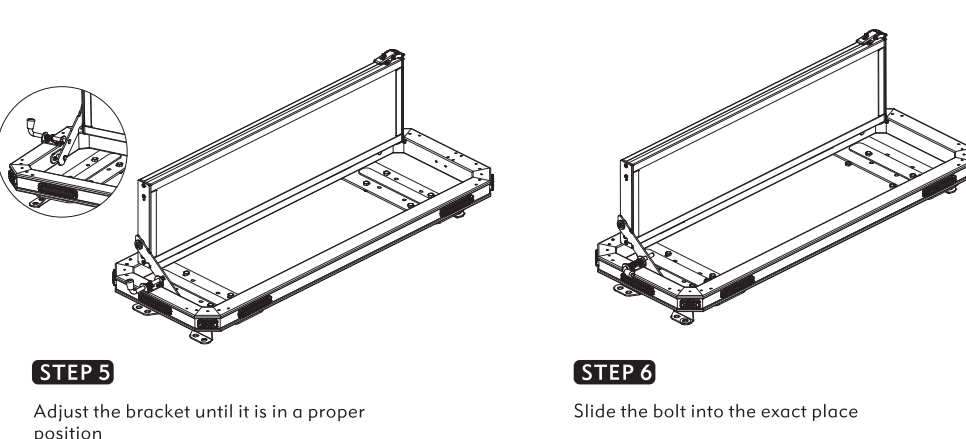
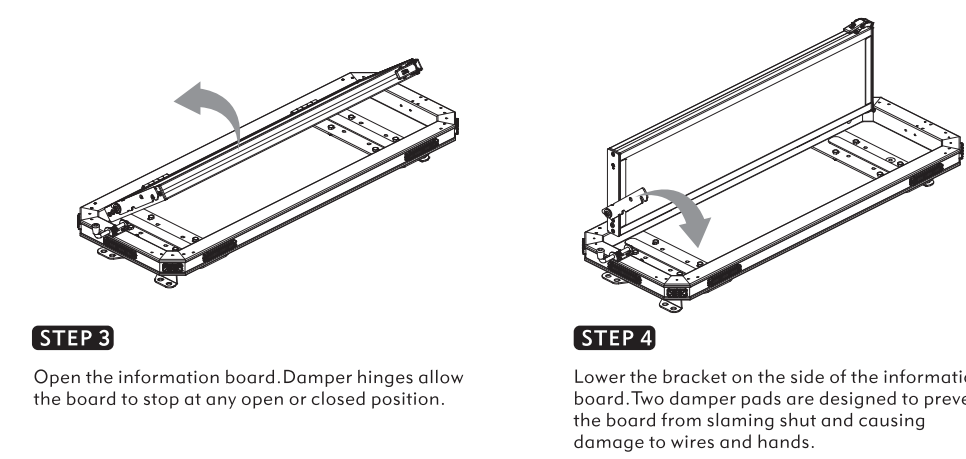
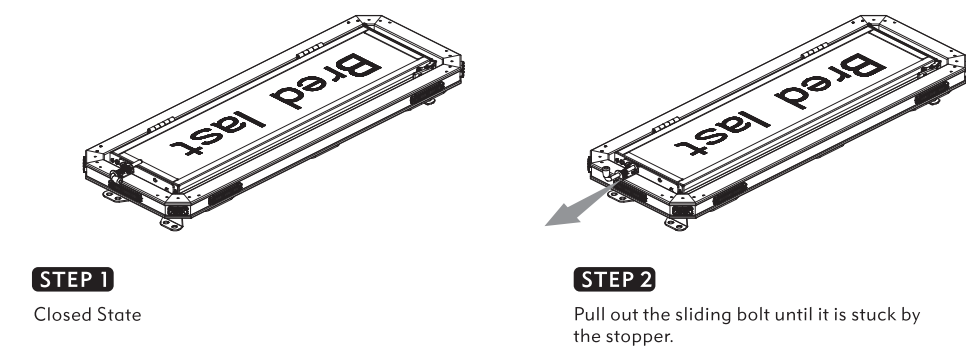
WIRING FUNCTIONS



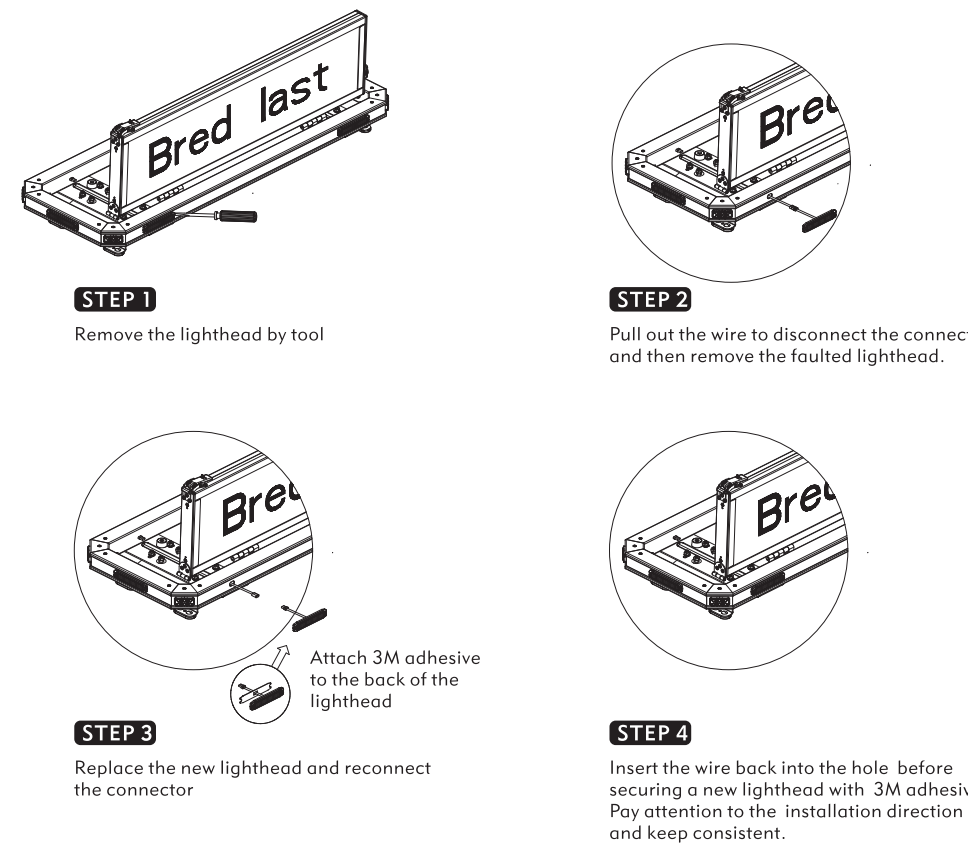
- Connect Red wire and Brown wire together for synchronization
- Flash patterns will be reset when YELLOW wire are connected to Red wire and Brown wire for more than 3 seconds
- ▲ To change flash patterns, apply Red wire and Brown wire for 1-5 seconds



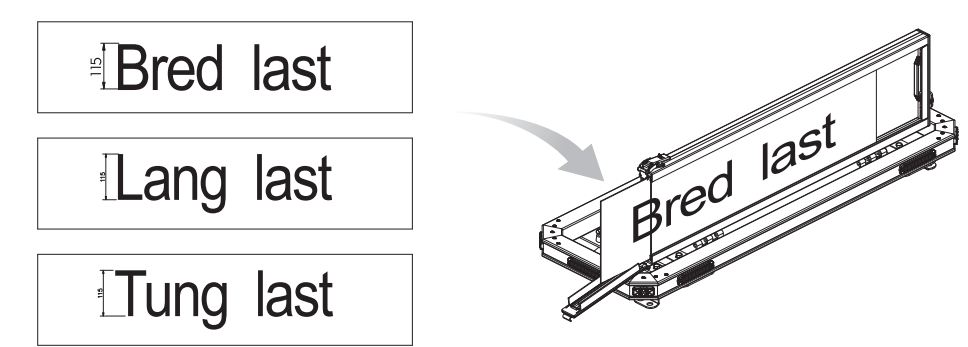
OPERATING INSTRUCTION



HOW TO REPLACE THE LIGHTHEAD



EASY REPLACEMENT OF SIGN PLATE



FLASH PATTERNS

1	Random (Default)	10	Single-H/L (All)
2	ECE R65 Single (All)	11	Single (Split)
3	ECE R65 Double (All)	12	Double (Split)
4	Single (All)	13	Quad (Split)
5	Double (All)	14	Quint (Split)
6	Quad (All)	15	Ultra (Split)
7	Quint (All)	16	Single-Quad (Split)
8	Ultra (All)	17	Single-H/L (Split)
9	Single-Quad (All)	18	Steady 4 (All)

911 Signal Technology Inc.

Add: Room 701-702, Hengwei Building, No.258, Tiangao Lane, Shounan Subdistrict, Yinzhou Area, Ningbo City, Zhejiang, China.

Tel: +86 574 89017911 +86 400 6757911
 Fax: +86 574 82822560
 Email: sales@911signal.com
 Website: www.911signal.com

AgileSeries X11
 V1.1