

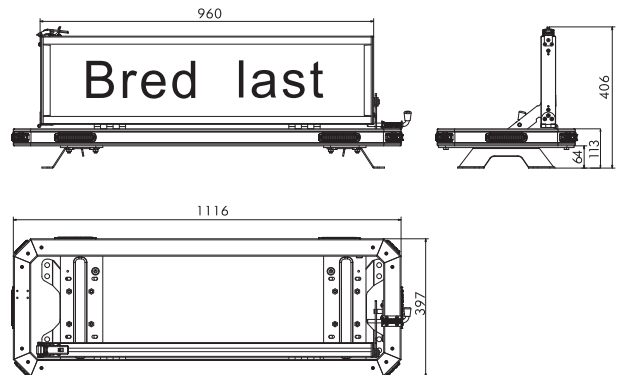


AGILE SERIES

Features

- > Foldable sign box with LED lighting
- > Easy exchange of messages such as Bred last, Tung last and Lang last
- > Internal storage of up to 4 sign plate
- > For effective and visible notification
- > A full 360° warning coverage to replace lightbar effectively
- > The rear warning light can be controlled separately
- > Simple and fast mounting

* You can buy the light sign separately



Item	Dimension (LxWxH)	LED	Lens	Max Power	Flash Patterns	Voltage	Operating Temperature	Mount	Certification
160101	1116x397x406	60pcs	TIR	35W	19	DC 10-33V	-30 to +70°C	Brackt Mount, Screw Mount	ECE R65 TA2, TB2, R10

911 Signal Technology Inc.

China Office
Tel: +86-574-89017911
Fax: +86-574-82822560
Email: sales@911signal.com

France Office
Tel: +33(0)659163209
Email: euoffice@911signalgroup.com
www.911signal.com

